

Name: ERIC
 Date:
 Track: TÜRKHEIM

VELOX SET-UP SHEET

Track condition:
 Surface: SMOOTH MEDIUM BUMPY
 Size: TIGHT MEDIUM FAST
 Traction: LOW MEDIUM HIGH

Engine
 Engine Muffler Manifold Plug
 NR 359 3007 MEDIUM 7

Clutch
 Clutch shoe Centrifugal shoe Spring
 SCHW. STD. STD


Clutch bell clearance/mm 6,6 Adj. nut position/mm


Drive ratio
 Pinion 1st Pinion 2nd Pulley
 16 17 19 20 21 26 25


Spur 1st Spur 2nd
 48 49 50 45 46 47

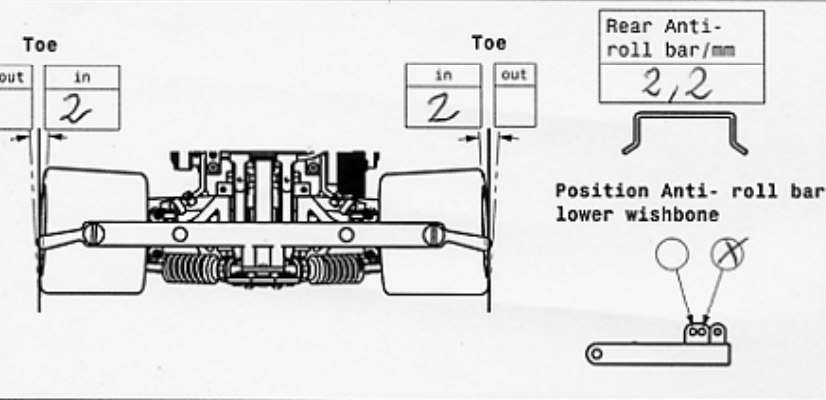
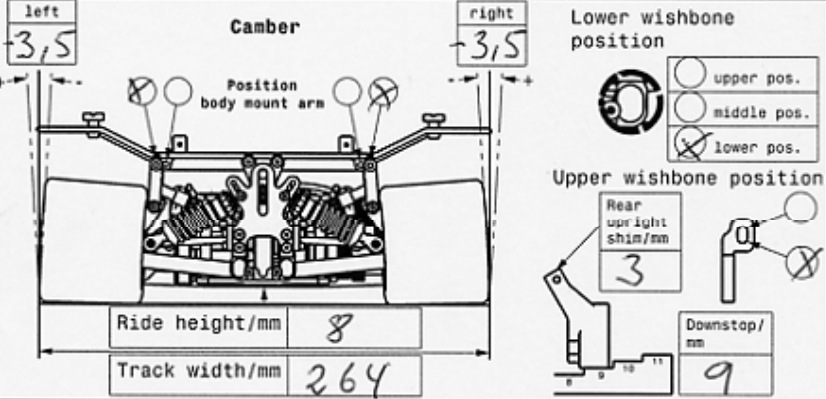
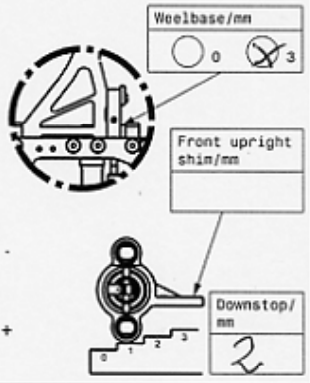
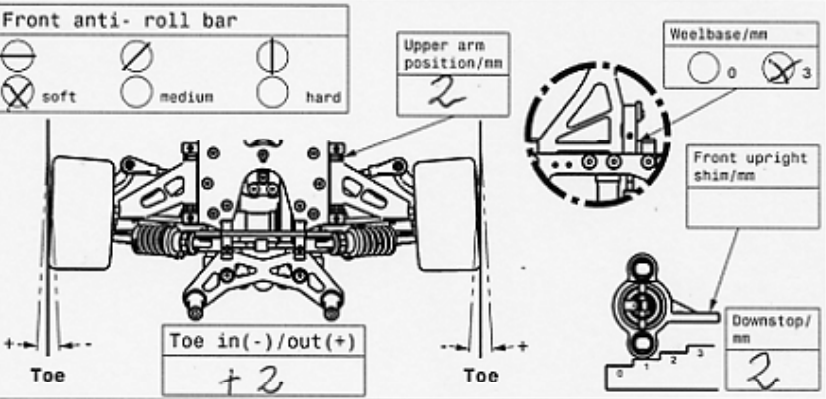
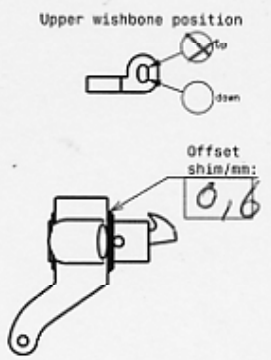
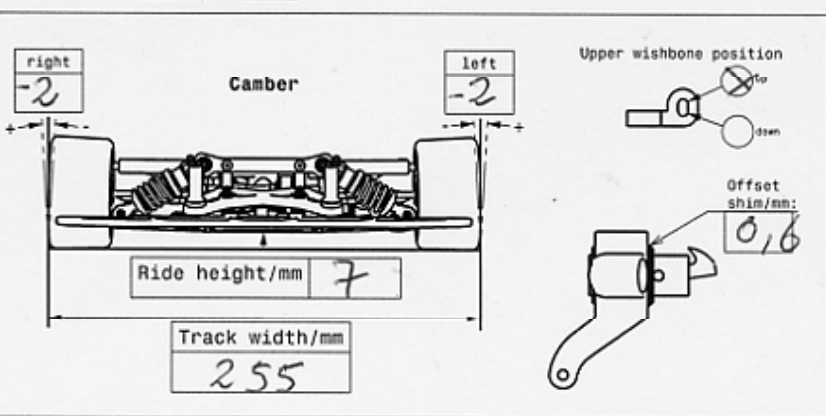
Tyres
 Front left/right brand Rear left/right
 RPM/RPM shore RPM/RPM
 33/33 35/35
 69/68 diameter start/mm 76/75
 64/63 diameter end/mm 70/71

Body COLLARI
 Body position/mm Spoiler position/mm
 12 10

Rear shock
 Position  Piston (hole) 2
 Oil 650
 Spring WEISS

Front shock
 Position  Piston (hole) 1
 Oil 650
 Spring WEISS

Steering Ackermann




Comments:
 TQ + SIEG